



# Rain gutter system

Product technical features

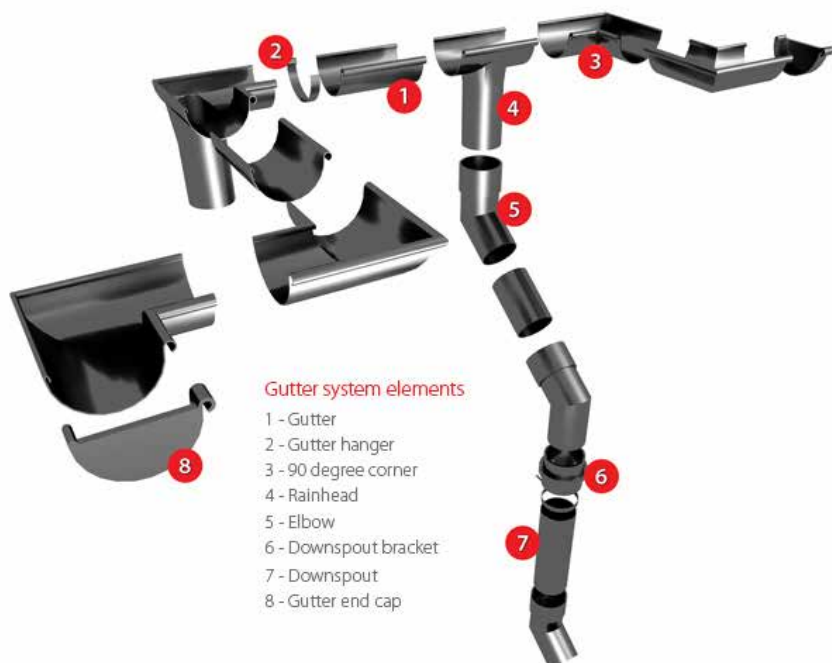


**PANKOMERC**  
Sheet metal wizards®

# Rain gutter system

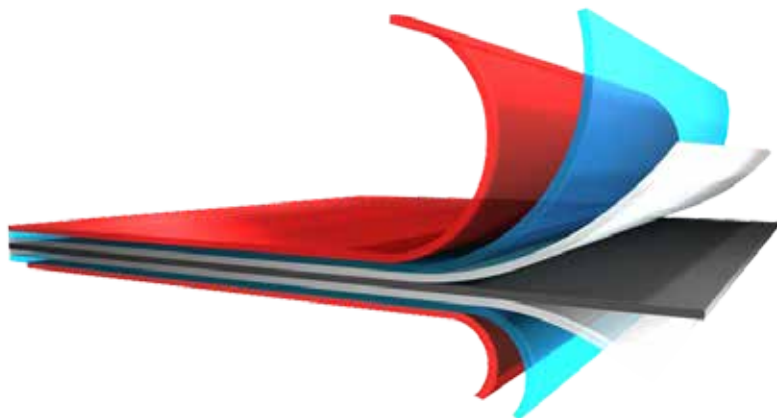
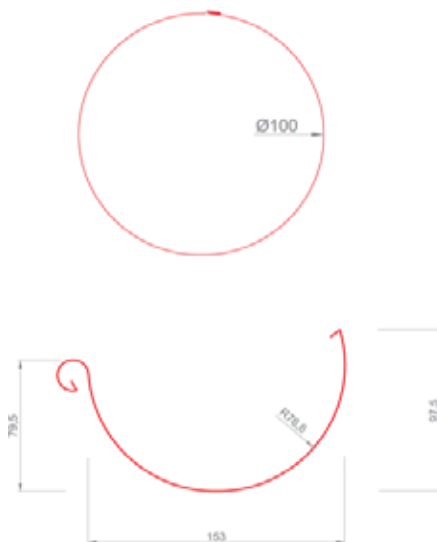
Pan halfround gutters are produced on state-of-the-art machines in virtually any length. Gutters are 100 mm in diameter and can be produced out of galvanized or prepainted steel sheets.

In our product range you can find all necessary elements and accessories for installing gutter system.



### Gutter system elements

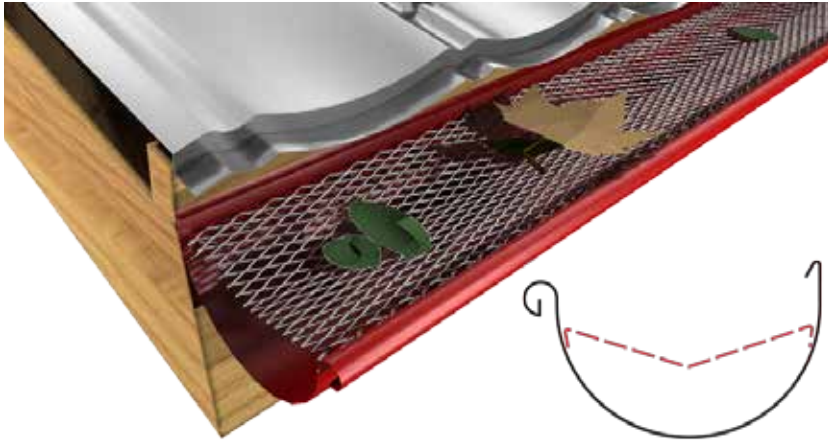
- 1 - Gutter
- 2 - Gutter hanger
- 3 - 90 degree corner
- 4 - Rainhead
- 5 - Elbow
- 6 - Downspout bracket
- 7 - Downspout
- 8 - Gutter end cap



### Protective layers

- Polyester coating 20 $\mu$
- Primer 7 $\mu$
- Zinc coating 140gr/m<sup>2</sup>
- Steel base DX51 (0.5mm)

\* The values can be changed upon request



## Leaf guard mesh

Permanent solution for leaves that build up in raingutters can seriously endanger proper roof drainage is metal mesh guard produced by Pan Komer.

Protective element provides unobstructed water flow while in the same time retains fallen leaves and debree. Cought up leaves are blown away by wind, once dry.

Mesh is longlasting, easy installed and non-visible from bellow.

## Standard colours chart

Colour	RAL number	Rain gutter
Silver Mettalic	9006	•
Dark Gray	9007	
Alpine White	9002	•
Dirty White	9003	
Anthracite	7016	•
Black	9005	•
Earth Brown	8019	•
Fire Red	3020	
Brick Red	3009	•
Bright Green	6018	
Steppe Green	6021	
Forest Green	6028	•
Sea Blue	5010	•
Brick Red matte	3009	
Amazon Green matte	6020	
Anthracite matte	7016	
Earth Brown matte	8017	
Black matte	9005	
Titanium zinc		
Lamelirane folije	Wood imitation	
Lamelirane folije	Cooper imitation	•

Custom colors available on request



**PANKOMERC**

Sheet metal wizards®

Knjaza Miloša 92/1  
(PO BOX 67)  
31 210 Požega, Serbia

**Wholesale**

tel. +381 (0)31 812 225  
fax +381 (0)31 3716 091

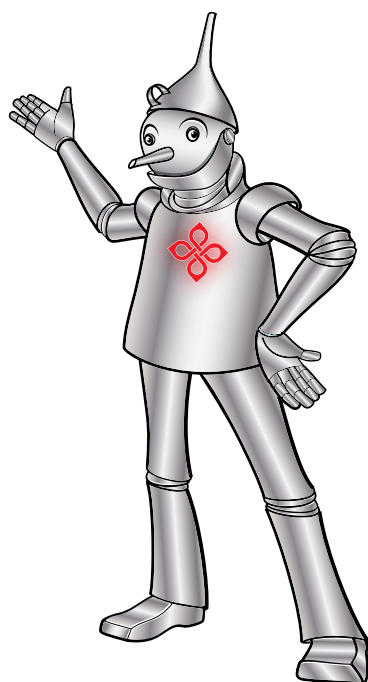
**Retail and logistics**

tel. +381 (0)31 825 058  
fax +381 (0)31 825 458  
e-mail: info@pankomerc.com

**Belgrade office**

Mije Kovačevića 10a  
(Warehouse Inkotehna)  
11 000 Belgrade  
tel. +381 (0)11 27 64 491  
e-mail: beograd@pankomerc.com

[www.pankomerc.com](http://www.pankomerc.com)



RoHS